



LEFROY BROOKS

1 8 2 8 T R O U T M A N S T R E E T
R I D G E W O O D N E W Y O R K N Y 1 1 3 8 5 U S A
T: +1(718) 302 5292 F: +1(718) 302 4177

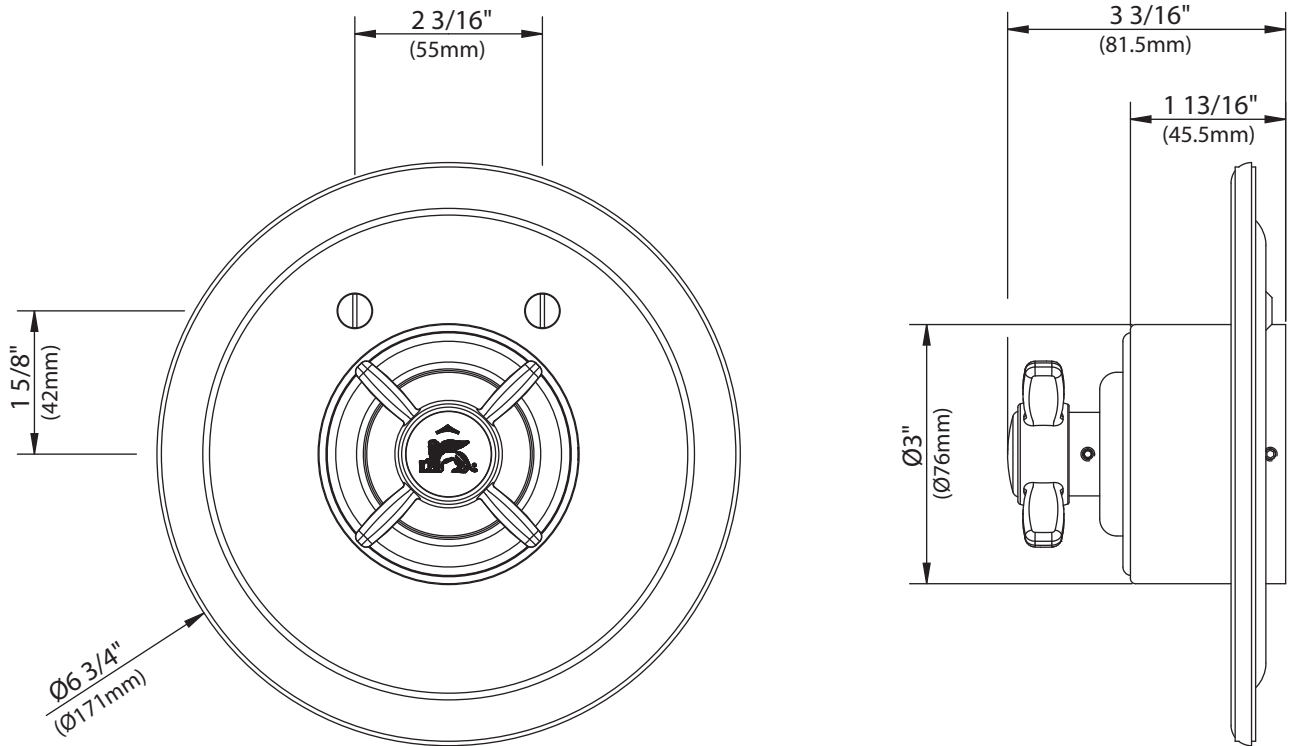
CW-4070

WHITE ARCHIPELAGO PRESSURE BALANCE MIXING VALVE
TRIM ONLY, TO SUIT M1-4100 ROUGH

DIMENSIONAL DATA SHEET

DATE: 24 January 2011

No: A66F168



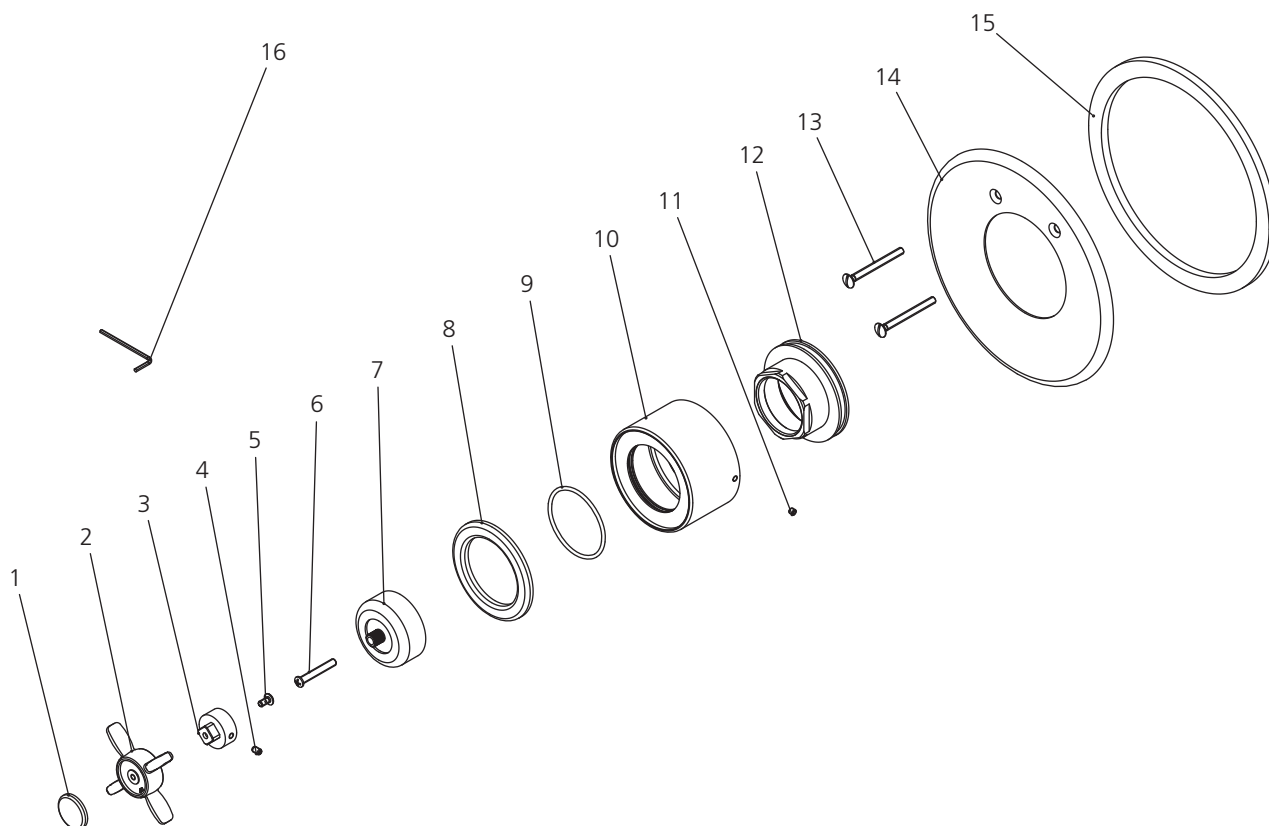
©COPYRIGHT 2009. CHRISTO LEFROY BROOKS. ALL RIGHTS RESERVED.

DIMENSIONS IN INCHES & MILLIMETRES

WHILST EVERY EFFORT IS MADE TO ENSURE THE ACCURACY OF THESE DATA SHEETS THEY ARE SUBJECT TO CHANGE WITHOUT NOTICE AS PART OF THE COMPANY'S PRODUCT DEVELOPMENT PROCESS

CW-4070

WHITE ARCHIPELAGO PRESSURE BALANCE MIXING VALVE TRIM ONLY, TO SUIT M1-4100 ROUGH



- | | | | |
|---|-----------------------|----|-------------------------|
| 1 | Handle cap (206243) | 9 | O-ring (004623R) |
| 2 | Handle (069906) | 10 | Canopy (018394) |
| 3 | Adaptor (205462) | 11 | Set screw (065086) |
| 4 | Set screw (075018) | 12 | Adjusting ring (104292) |
| 5 | Screw (065172) | 13 | Screw (008101) |
| 6 | Screw (008109) | 14 | Front plate (006225) |
| 7 | Canopy (018251) | 15 | Seal (013007) |
| 8 | Ceramic ring (023660) | 16 | Allen key (031003) |

Standards

IAPMO/cUPC Listed
Meets A112.18.1

Please note :
Final achievable flow rate is dependent on the outlets fitted, see relevant outlets (spouts, roses, sprays) for fully assembled product flow rate.